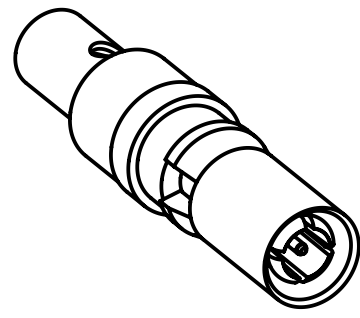
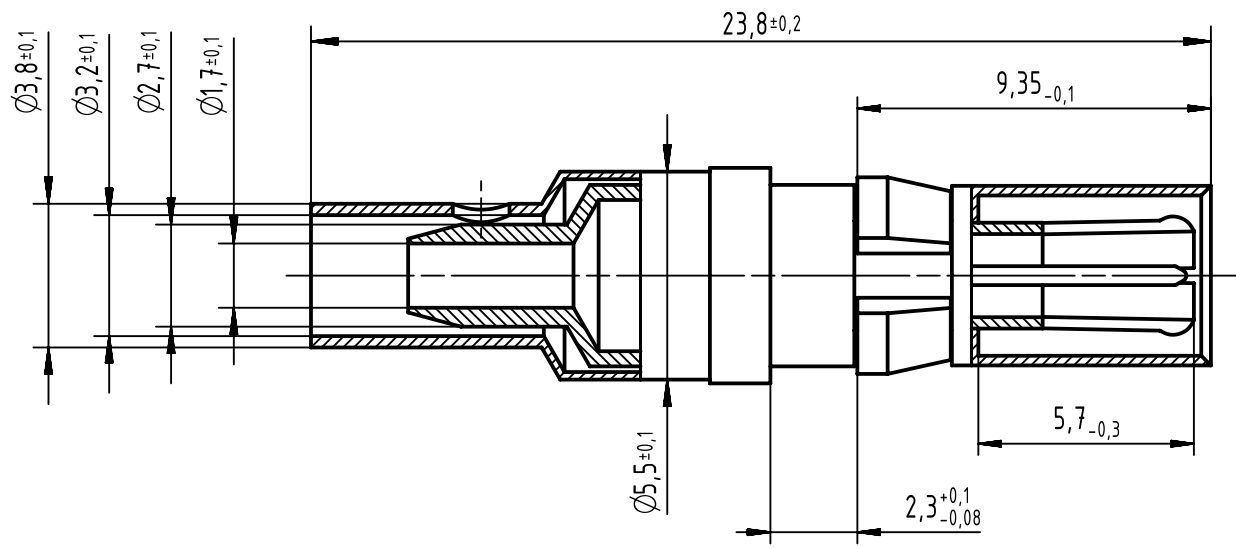

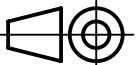


1 2 3 4 5 6

A
B
C
D



male coax contact 50 Ohm straight solder/crimp
for female connector DIN Signal type M

	 All Dimensions in mm Original Size DIN A4	Scale 5:1	Free size tol. DIN 41626-2	Ref. Sub. TB 09030006160 500000057264 2012-11-30	
	All rights reserved Department EC PD - DE	Created by ELLERMANN	Inspected by DAHMS	Standardisation HOFFMANN	Date 2013-12-18
HARTING Electronics GmbH D-32339 Espelkamp		Title DIN Signal male contact coax 50 Ohm str solder or crimp			Doc-Key / ECM-Nr. 100072467/UGD/002/C 500000068957
		Type TB	Number 09030006160		Rev. C Page 1/1