

THIS DRAWING IS UNPUBLISHED.

RELEASED FOR PUBLICATION

© COPYRIGHT - By -

ALL RIGHTS RESERVED.

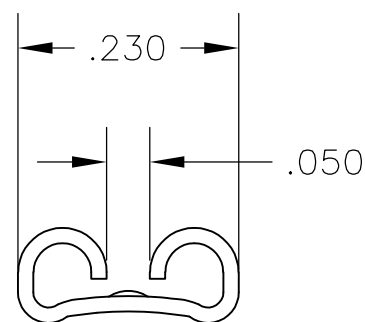
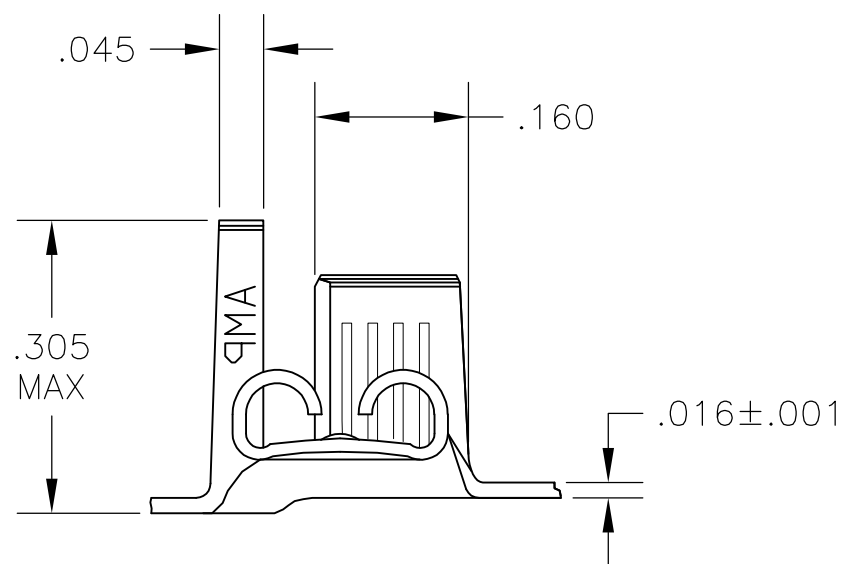
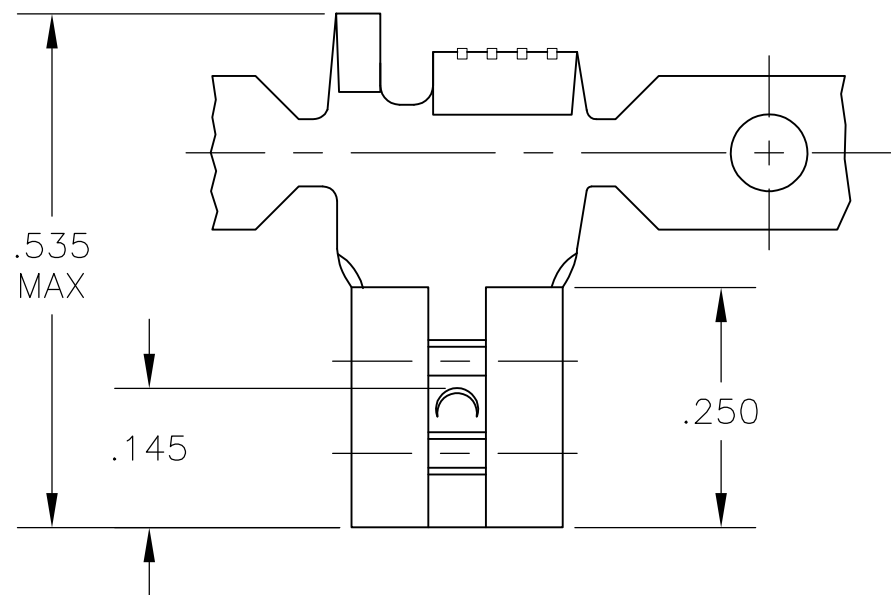
LOC
AF

DIST
50


REVISIONS

P	LTR	DESCRIPTION	DATE	DWN	APVD
	C	REVISED PER ECR-12-013518	26NOV2012	KH	PD

- 1 CONTINUOUS STRIP ON REELS
- 2 FEED IS $.650 \pm .005$
- 3 ACCEPTS WIRE SIZE #18-#14 AWG
- 4 INSULATION RANGE IS $.075-.155$ DIA
- 5 MATING TAB THK IS $.020 \pm .001$
- △6 PRELIMINARY - NO FOR PRODUCTION
- △7 PREPRODUCTION - FASR REQUIRED



TIN	△7 1742370-2
-	△6 1742370-1
FINISH	PART NO

THIS DRAWING IS A CONTROLLED DOCUMENT.		DWN jr_ruth 13OCT05	 TE Connectivity														
DIMENSIONS: INCHES		CHK P_DESANTIS 13OCT05															
TOLERANCES UNLESS OTHERWISE SPECIFIED:		APVD P_DESANTIS 13OCT05	NAME														
<table border="0"> <tr><td>0 PLC</td><td>± -</td></tr> <tr><td>1 PLC</td><td>± -</td></tr> <tr><td>2 PLC</td><td>± -</td></tr> <tr><td>3 PLC</td><td>± .010</td></tr> <tr><td>4 PLC</td><td>± -</td></tr> <tr><td>ANGLES</td><td>± 5°</td></tr> </table>		0 PLC	± -	1 PLC	± -	2 PLC	± -	3 PLC	± .010	4 PLC	± -	ANGLES	± 5°	PRODUCT SPEC	RECEPTACLE, FASTON, .187 SERIES		
0 PLC	± -																
1 PLC	± -																
2 PLC	± -																
3 PLC	± .010																
4 PLC	± -																
ANGLES	± 5°																
MATERIAL BRASS		FINISH SEE TABLE	APPLICATION SPEC	SIZE	CAGE CODE	DRAWING NO	RESTRICTED TO										
						A300779 C-1742370											
			WEIGHT	CUSTOMER DRAWING		SCALE 5:1	SHEET 1 OF 1										
							REV C										