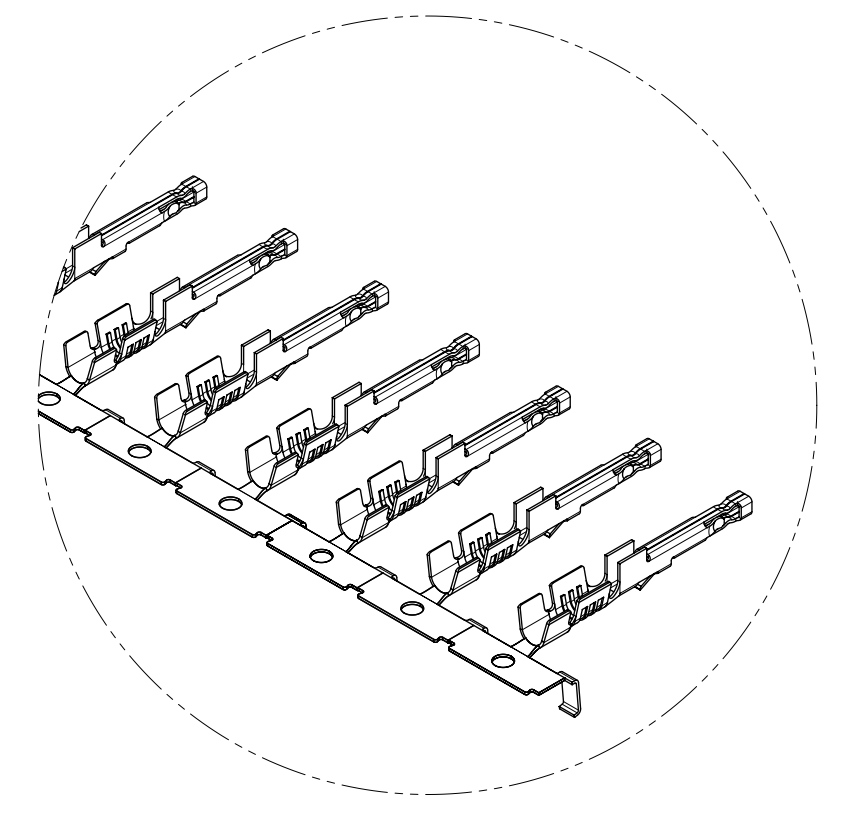
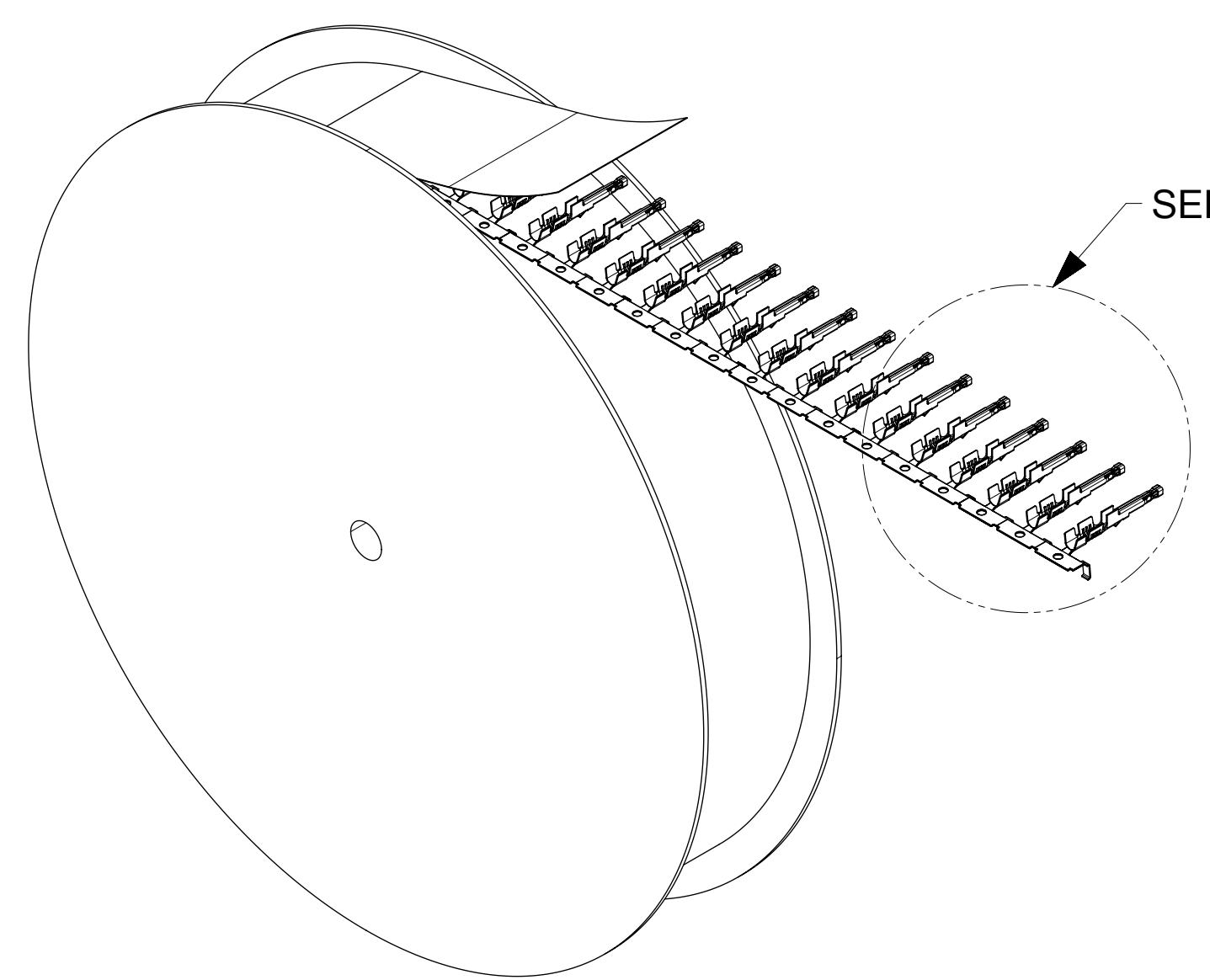
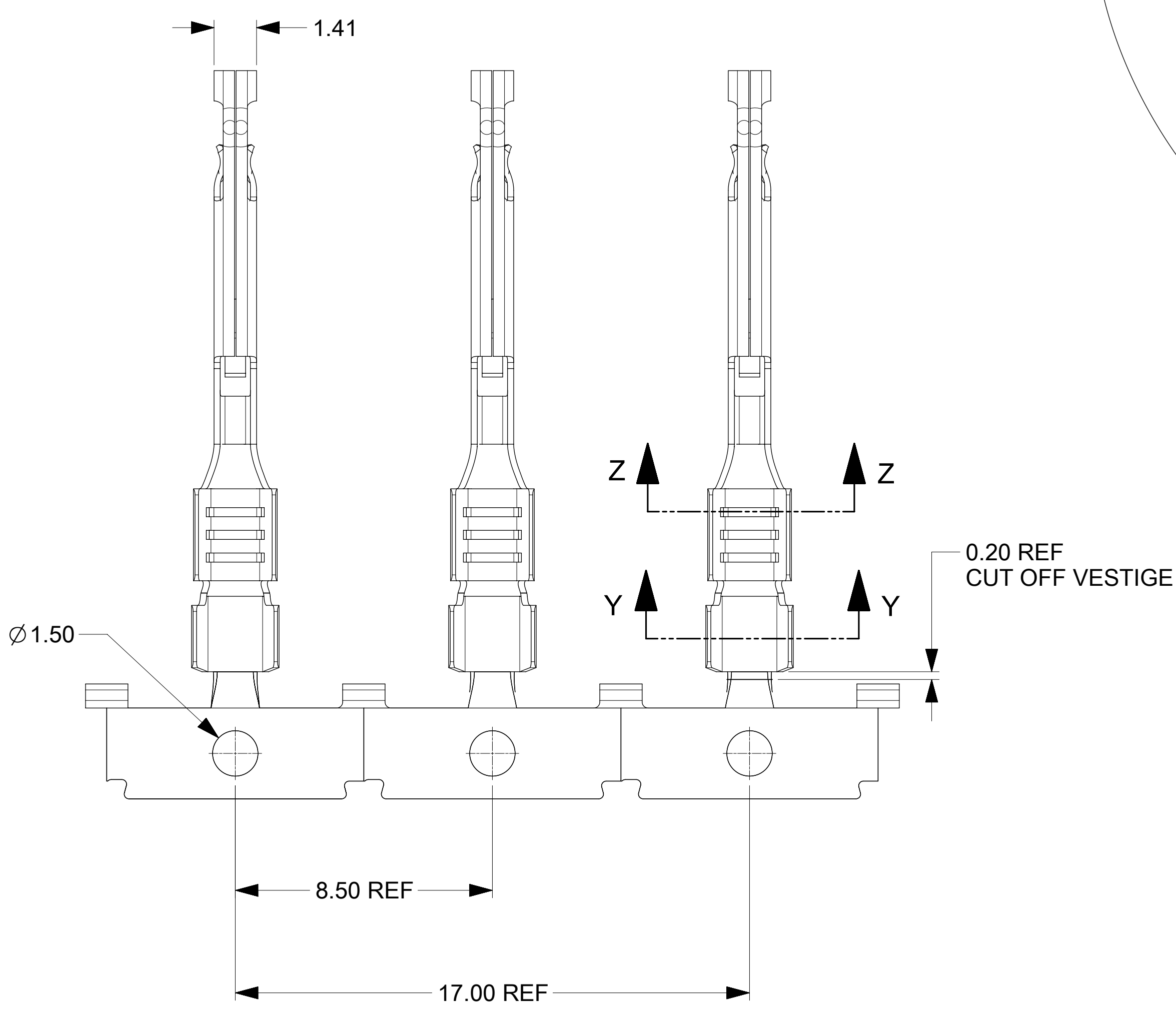
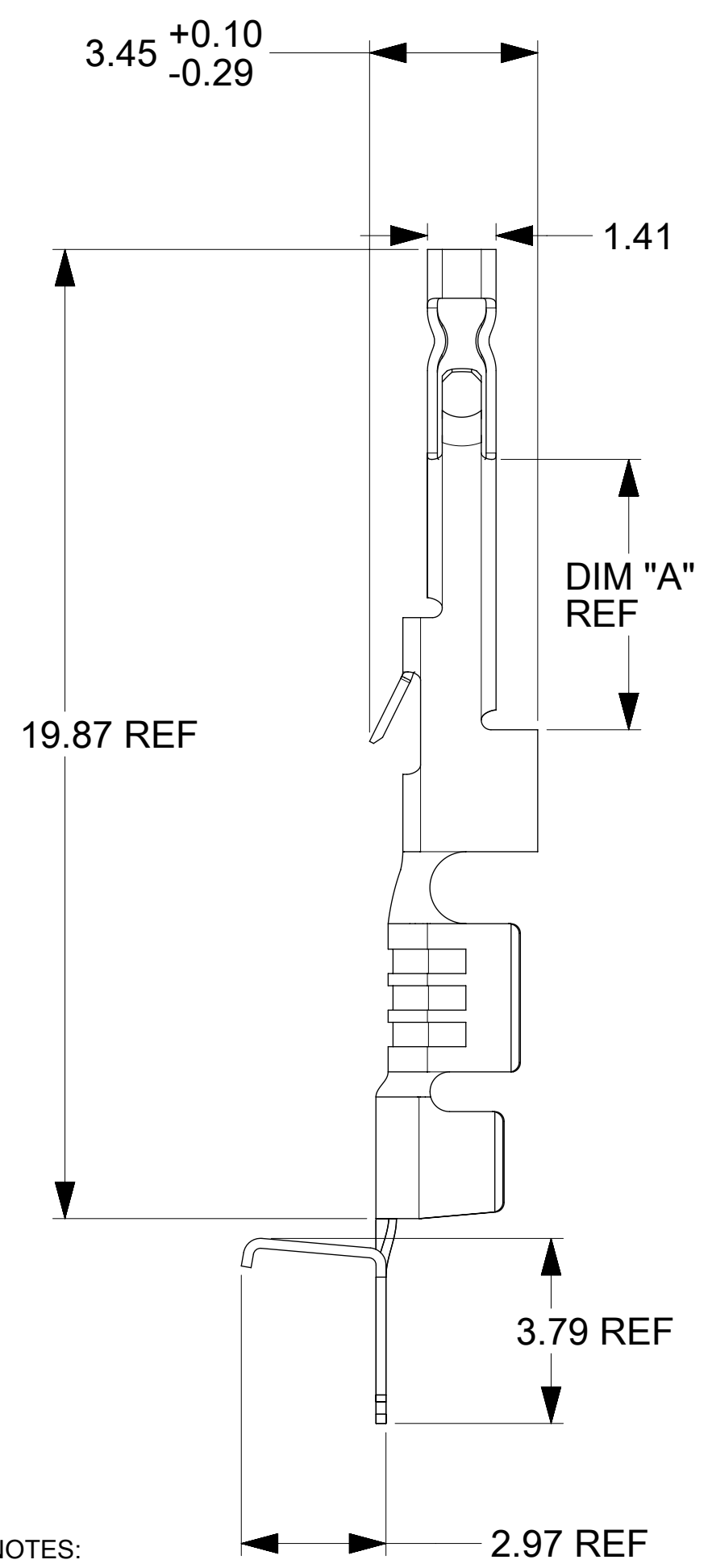
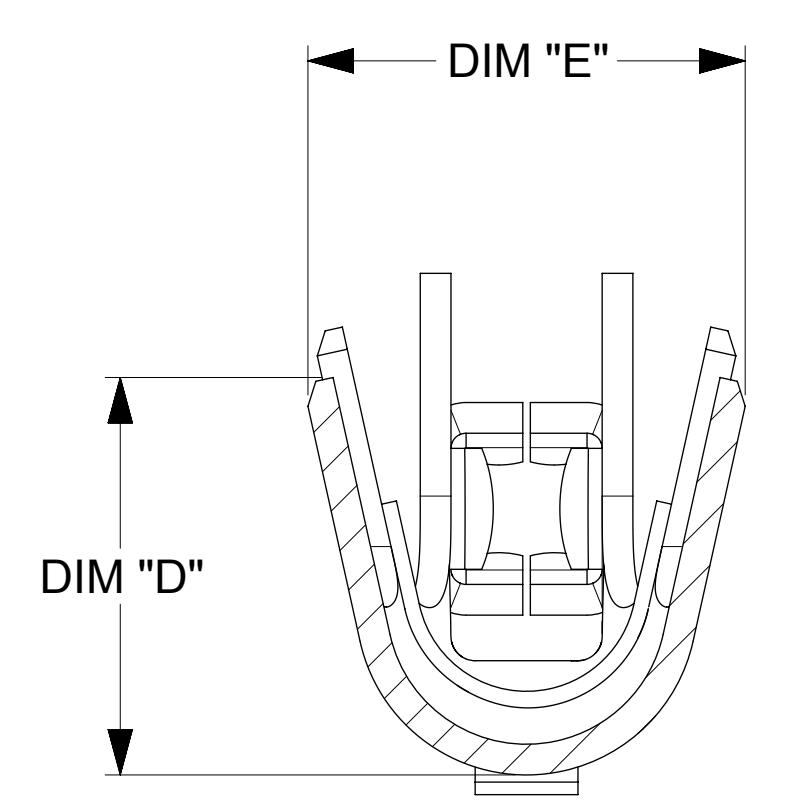
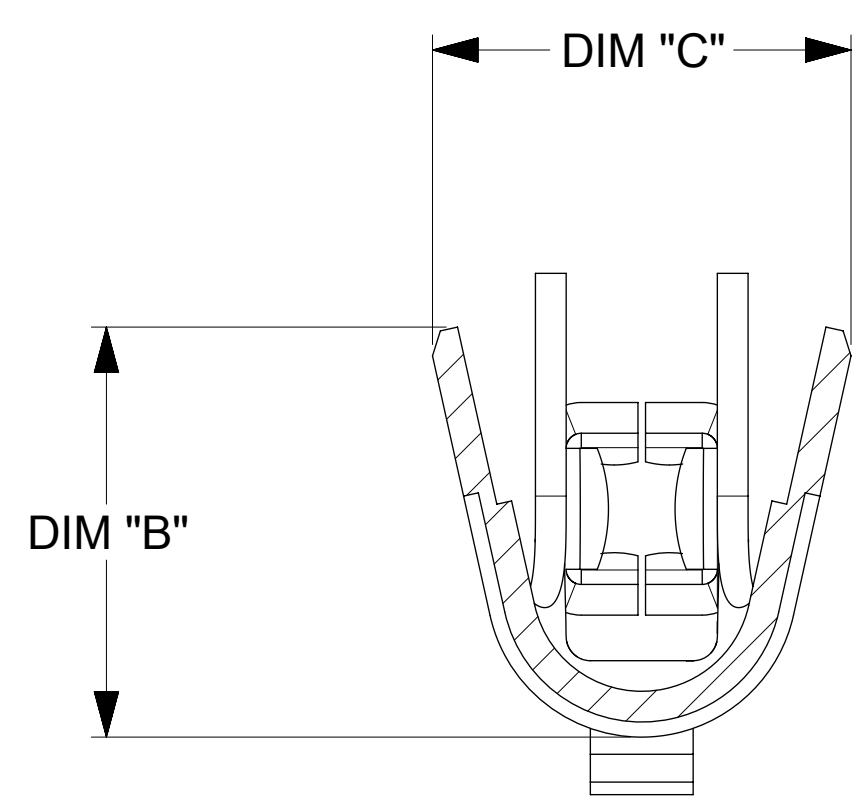


FINISHED RECEPTACLE TERMINALS			
PART NUMBER	CONTACT PLATING OPTION	WIRE SIZE [AWG]	DIM A
172253-3023	TIN/NICKEL	16-18	5.54
172253-3123	TIN/NICKEL	20-22	5.54
172253-3011	15AU/NICKEL	16-18	4.54
172253-3111	15AU/NICKEL	20-22	4.54
172253-3012	30AU/NICKEL	16-18	4.54
172253-3112	30AU/NICKEL	20-22	4.54



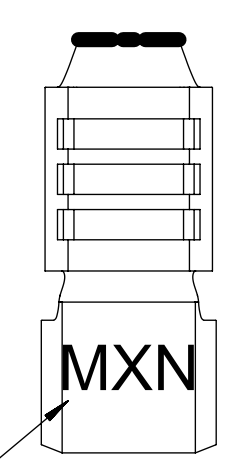
	16-18 AWG	20-22 AWG
DIM "B"	2.71	2.16
DIM "C"	2.77	2.20
DIM "D"	2.63	2.08
DIM "E"	2.89	2.33



SECTION Z-Z

SECTION Y-Y

- NOTES:
- MATERIAL: HIGH CONDUCTIVITY COPPER ALLOY
  - PLATING FINISH:
    - OPTION 1 - 1.5µm(60µin)-2.5µm(100µin) TIN OVER  
1.25µm(50µin)-2.5µm(100µin) NICKEL OVERALL
    - OPTION 2 - 0.35µm(15µin) GOLD CONTACT AREA,  
1.5µm(60µin)-2.5µm(100µin) TIN CRIMP AREA OVER  
1.25µm(50µin)-2.5µm(100µin) NICKEL OVERALL
    - OPTION 3 - 0.70µm(30µin) GOLD CONTACT AREA,  
1.5µm(60µin)-2.5µm(100µin) TIN CRIMP AREA OVER  
1.25µm(50µin)-2.5µm(100µin) NICKEL OVERALL
  - PRODUCT SPECIFICATION PS-172323-0001
  - PACKAGING SPECIFICATION PK-172253-5101
  - TERMINAL FOR USE WITH 172256, 172258, 172260 AND 172262 RECEPTACLE HOUSING
  - WHEN TERMINALS ARE INSTALLED IN THE HOUSING THE WIRES ARE TO BE DRESSED IN SUCH WAY TO ALLOW THE TERMINALS TO FLOAT FREELY IN THE POCKET
  - TERMINAL DESIGNED FOR SINGLE WIRE CRIMP
  - PART CONFORMS TO CLASS "B" REQUIREMENTS OF COSMETIC SPECIFICATION PS-45499-002
  - APPLICATION SPECIFICATION AS-172323-0001
  - RECOMMENDED INSULATOR
    - 16AWG WIRE - OD 2.00MM MAX.
    - 18AWG WIRE - OD 1.70MM MAX.
    - 20AWG WIRE - OD 1.50MM MAX.
    - 22AWG WIRE - OD 1.30MM MAX.



MOLEX LOGO SCALE 8:1

QUALITY SYMBOLS	THIS DRAWING CONTAINS INFORMATION THAT IS PROPRIETARY TO MOLEX INCORPORATED AND SHOULD NOT BE USED WITHOUT WRITTEN PERMISSION		GENERAL TOLERANCES (UNLESS SPECIFIED)		DIMENSION UNITS	SCALE					
▽ = 0	2016/05/24	2015/09/29	ANGULAR TOL ± °		MM	1:1					
▽ = 0	EC DESCRIPTION 108236 DRAWN: PEREZ CHKD: RHODGE APPR: RHODGE	DRWN BY DATE DROSCA 2014/03/07	4 PLACES ±		CHKD BY DATE	APPR BY DATE JCOMERCI 2014/04/24	PRODUCT CUSTOMER DRAWING				
▽ = 0			3 PLACES ±				SERIES	MATERIAL NUMBER	CUSTOMER		
▽ = 0	2 PLACES ± 0.25		1 PLACE ±		172253			SEE CHART	GENERAL MARKET		
▽ = 0	1 PLACE ±		0 PLACES ±		DRAWING SIZE		THIRD ANGLE PROJECTION	DOCUMENT NUMBER	DOC TYPE	DOC PART	SHEET NUMBER
□ = 0	DRAFT WHERE APPLICABLE		MUST REMAIN WITHIN DIMENSIONS		D	172253-1000	PSD	000	1 OF 1		