

DETAILS

Product Number	FP15073_ZORYA-SC-50
Family	Zorya
Type	Assembly
Color	clear
Diameter	56 mm
Height	29,1 mm
Style	round
Optic Material	Silicone
Holder Material	
Fastening	socket
Status	production ready
ROHS Compliant	Yes
Date Updated	8/09/2016

OPTICAL PROPERTIES

LED	Viewing Angle	Light Beam	Efficiency	cd/lm	Connector
BXRA ES Rectangle	sim: 256	Decorative...	-	sim: 0.130	BJB: 47.319.2040
CLL03x/CLU03x	sim: 253	Decorative...	sim: 97 %	sim: 0.121	BJB: 47.319.2021
CLU710/711	sim: 268	Decorative...	sim: 98 %	sim: 0.113	BJB: 47.319.2021
CLU720/721	sim: 265	Decorative...	-	sim: 0.111	BJB: 47.319.2021
CLL04x/CLU04x	sim: 165	Decorative...	sim: 97 %	sim: 0.153	BJB: 47.319.2030
CLU730/731	sim: 264	Decorative...	-	sim: 0.114	BJB: 47.319.2030
CXA/B 25xx	sim: 240	Decorative...	sim: 97 %	sim: 0.130	BJB: 47.319.2040
CXA/B 1816 & CXA/B 1820 & CXA 1850	sim: 266	Decorative...	sim: 95 %	sim: 0.113	BJB: 47.319.2131
CXA/B 30xx	sim: 242	Decorative...	sim: 97 %	sim: 0.131	BJB: 47.319.2151
LUXEON CoB 1204/1205	sim: 263	Decorative...	sim: 97 %	sim: 0.115	BJB: 47.319.2011
LUXEON CoB 1211	160 deg	Decorative...	94 %	0.160	A.A.G. STUCCHI: 8102/G2
LUXEON CoB 1208	sim: 253	Decorative...	sim: 94 %	sim: 0.110	BJB: 47.319.2011
LUXEON CoB 1216	sim: 157	Decorative...	sim: 93 %	sim: 0.160	A.A.G. STUCCHI: 8102/G2
Soleroq S19	sim: 246	Decorative...	sim: 97 %	sim: 0.130	BJB: 47.319.2170
ZC12/18	sim: 265	Decorative...	sim: 97 %	sim: 0.114	BJB: 47.319.2021
ZC25/40	sim: 166	Decorative...	sim: 97 %	sim: 0.155	BJB: 47.319.2030
Mega Zenigata (GW5DGC)	sim: 257	Decorative...	sim: 96 %	sim: 0.118	BJB: 47.319.2011
Mega Zenigata (GW6DME)	sim: 250	Decorative...	sim: 96 %	sim: 0.130	BJB: 47.319.2011
SLE G5 LES15	sim: 262	Decorative...	sim: 97 %	sim: 0.115	BJB: 47.319.2021

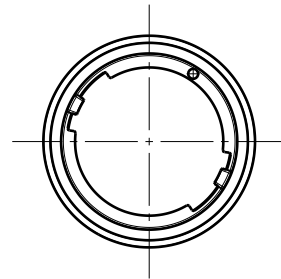
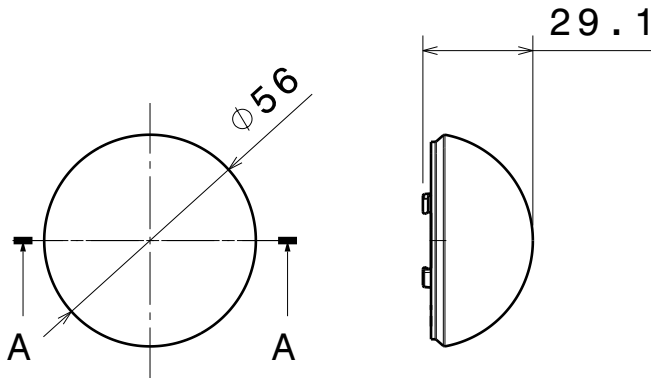
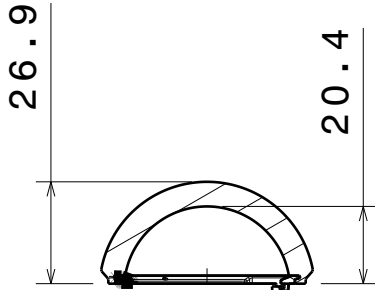


D

C

B

A



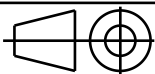
INDEX	PART NO	DESCRIPTION	MATERIAL	COLOUR
1	ZORYA-SC-50	LENS	Silicone	
2	ZORYA-SC-50	ADAPTER	PC	White

Tolerances if not otherwise shown
According to DIN ISO 2768-1
Linear measures:
Up to 30mm class M, otherwise class C.
According to DIN ISO 2768-2
Form and position: class L

LEDiL

Ledil Oy
Salorankatu 10
FIN 24240 SALO
Finland

THIRD ANGLE PROJECTION:



DRAWING TITLE

ZORYA-SC-50_MECHMODEL

This drawing is the property of LEDiL Oy. It may not be reproduced, copied or communicated without a written agreement with LEDiL Oy.

SIZE PART NUMBER

A4

ZORYA-SC-50

SCALE 1:2 WEIGHT 26,55 g SHEET 1/1

D

A

4

4

3

3

2

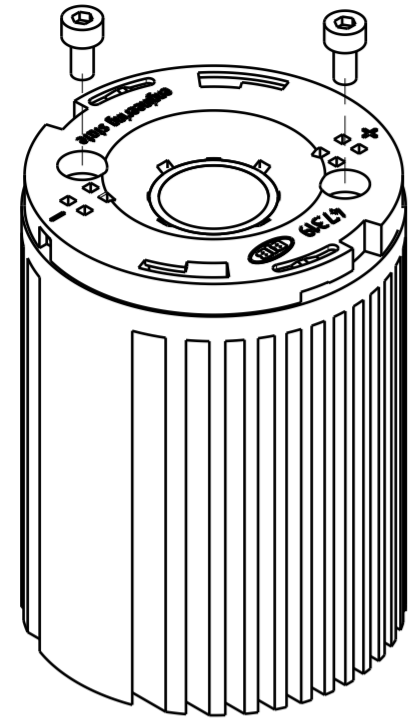
2

1

1

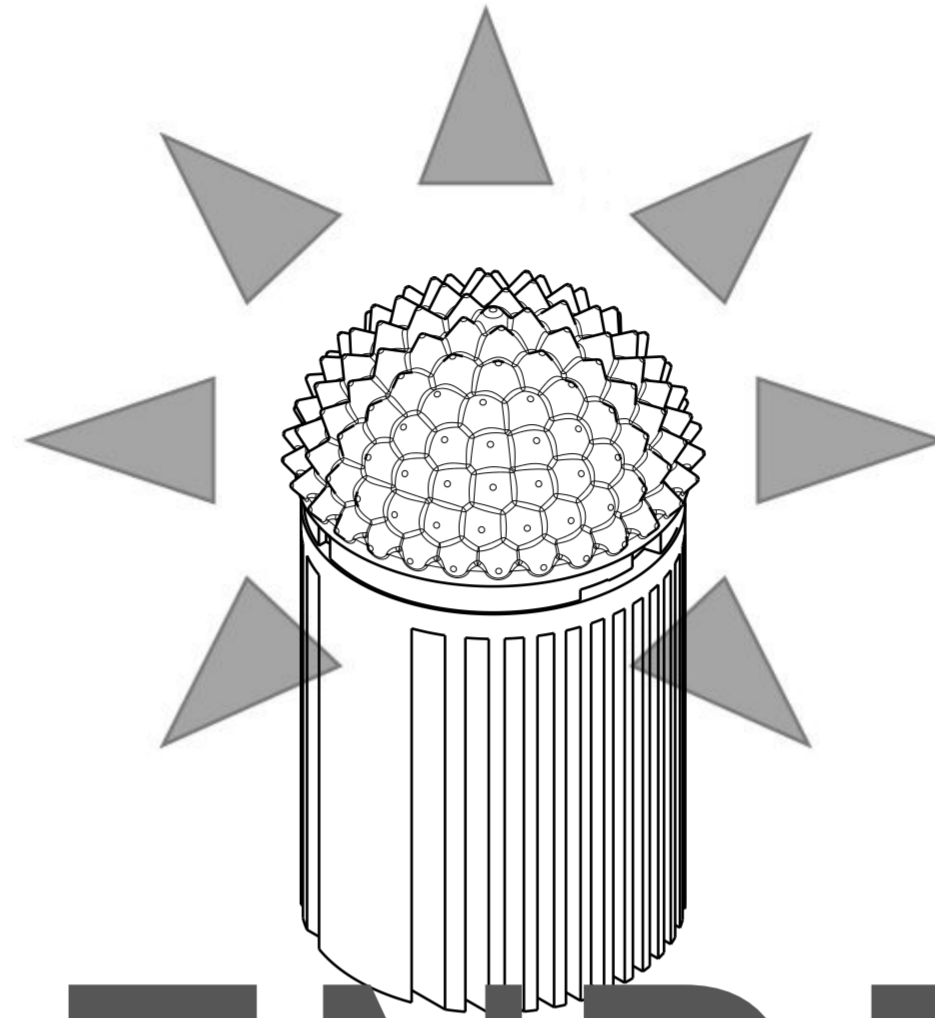
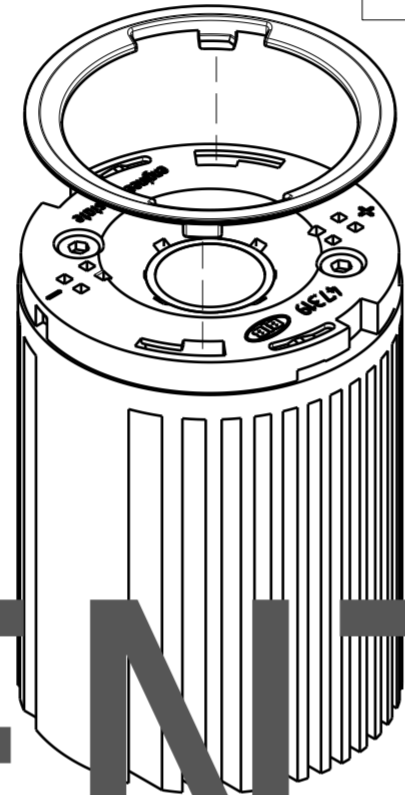
Recommendations:
DIN912 M3 screws
Max. torque 0,8 Nm

1



Press adapter through
connector keyholes.

2

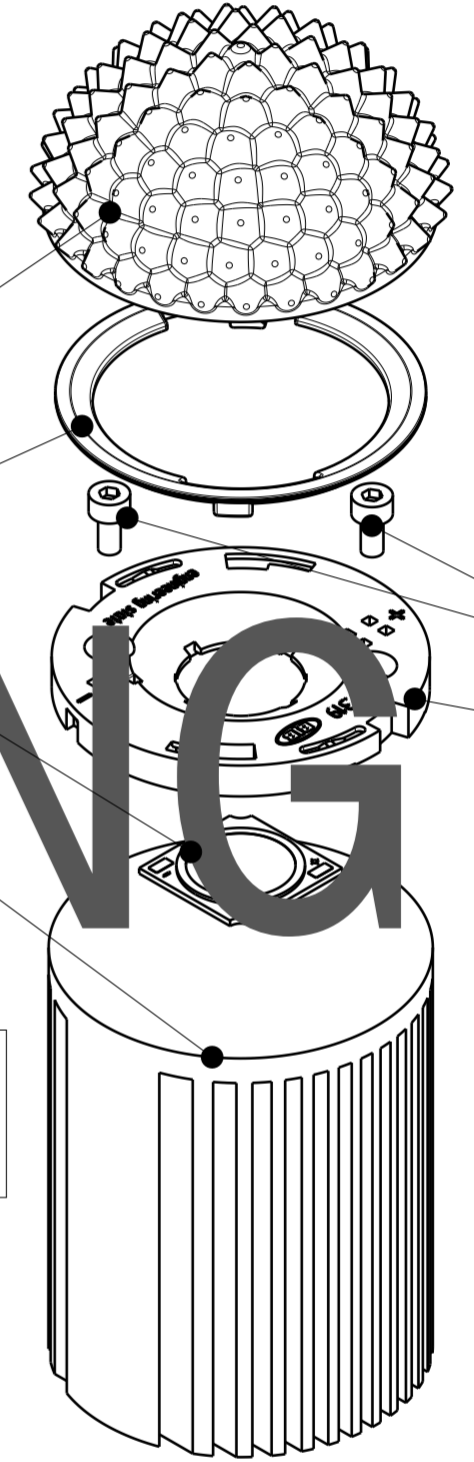


1

2

3

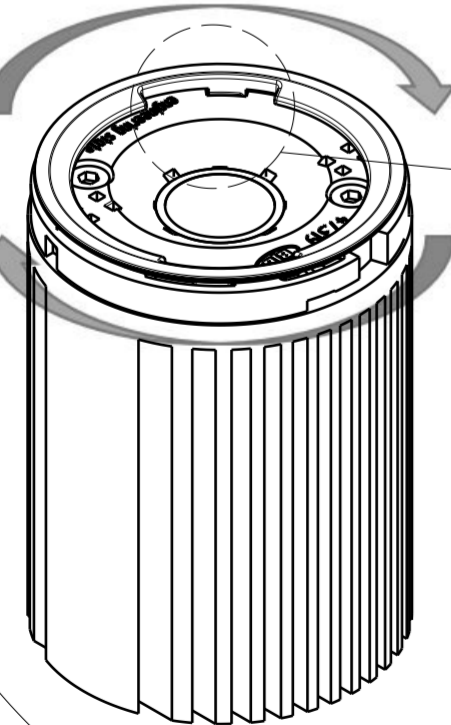
6



PATENT PENDING

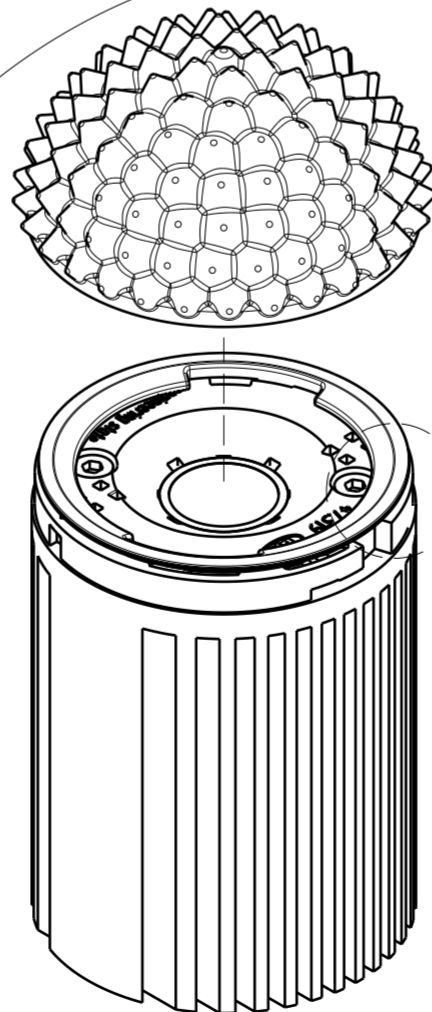
Twist adapter clock-
wise until hooks adapt.

3



Press down the lens
until the inner ledge of
lens adjusts entirely to
the groove.

4



Recommendations for heatsink:
Max. diameter 50mm for best
optical performance

INDEX	PART NO	DESCRIPTION	MATERIAL	COLOUR
1	F15074	ZORYA-SC	Silicone	
2	F15076	ZORYA-SC-ADAPTER-50	PC	white
3	COB LED	LES 6-24mm		
4	Connector	BJB		
5	M3 screw	DIN912		
6	Heatsink	Ø50mm		

Tolerances if not otherwise shown
According to DIN ISO 2768-1
Linear measures:
up to 30mm class M, otherwise class C
According to DIN ISO 2768-2
Form and position: class L

LEDiL LediL Oy
Salorankatu 10
FIN 24240 SALO
Finland

THIRD ANGLE PROJECTION:

DRAWING TITLE
FA15073_ZORYA-SC-50

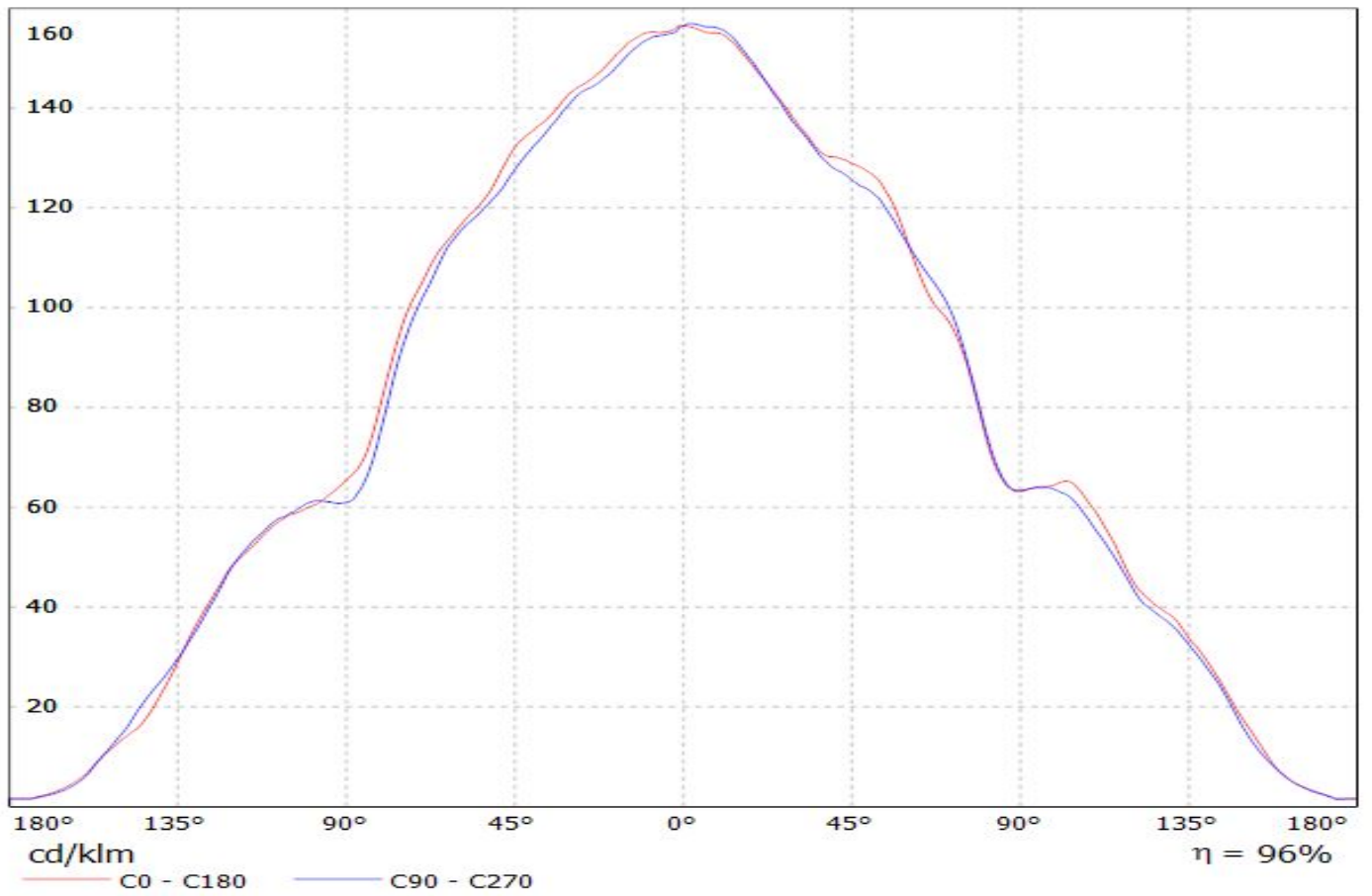
This drawing is the property
of LEDiL Oy. It may not be
reproduced, copied or
communicated without a written
agreement with LEDiL Oy.

SIZE PART NUMBER
A2 FA15073

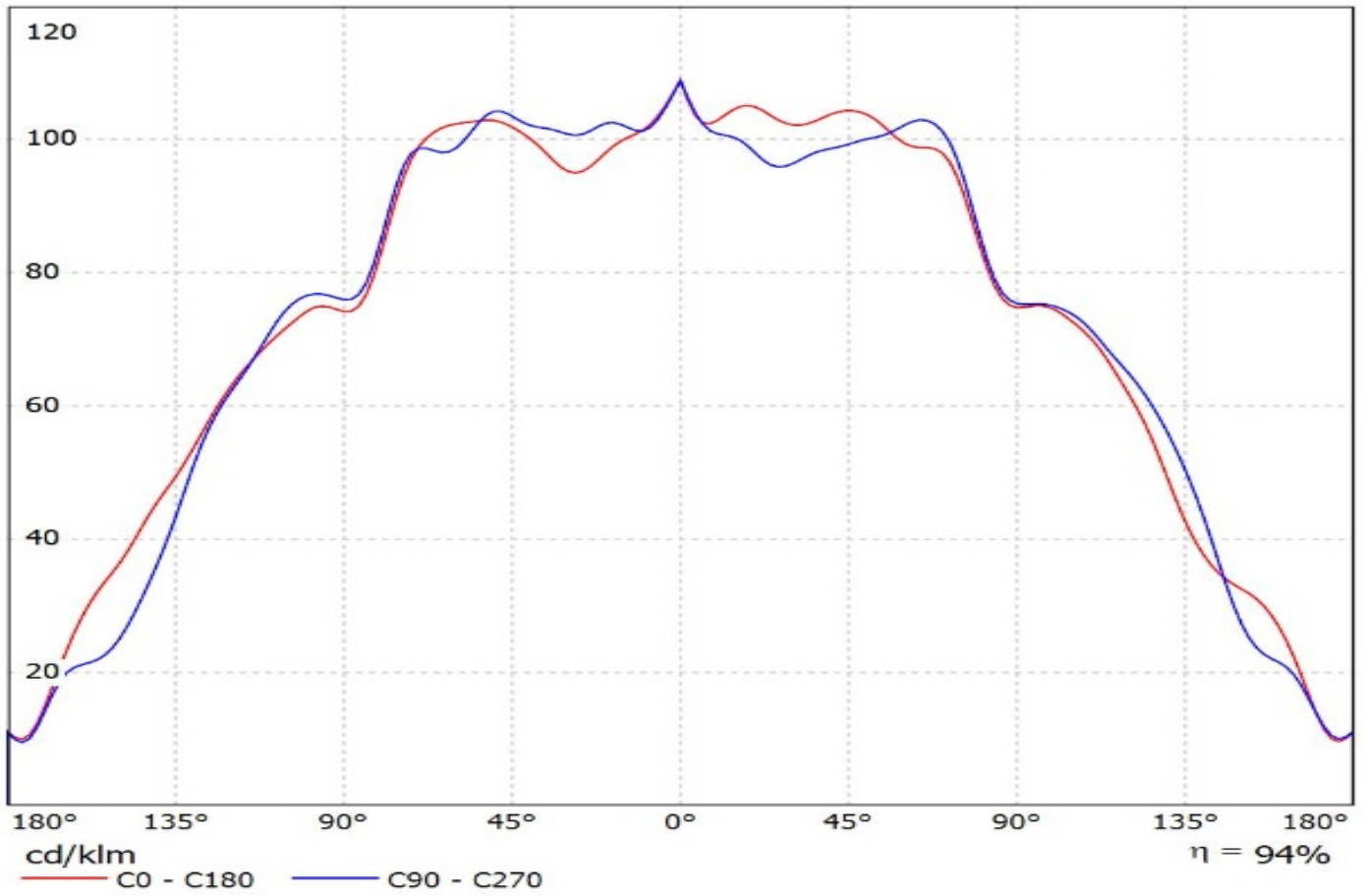
SCALE 1:1 WEIGHT - SHEET 1/1

Luminaire: LEDiL Oy FP15073_ZORYA-SC-50_(CoB1211)

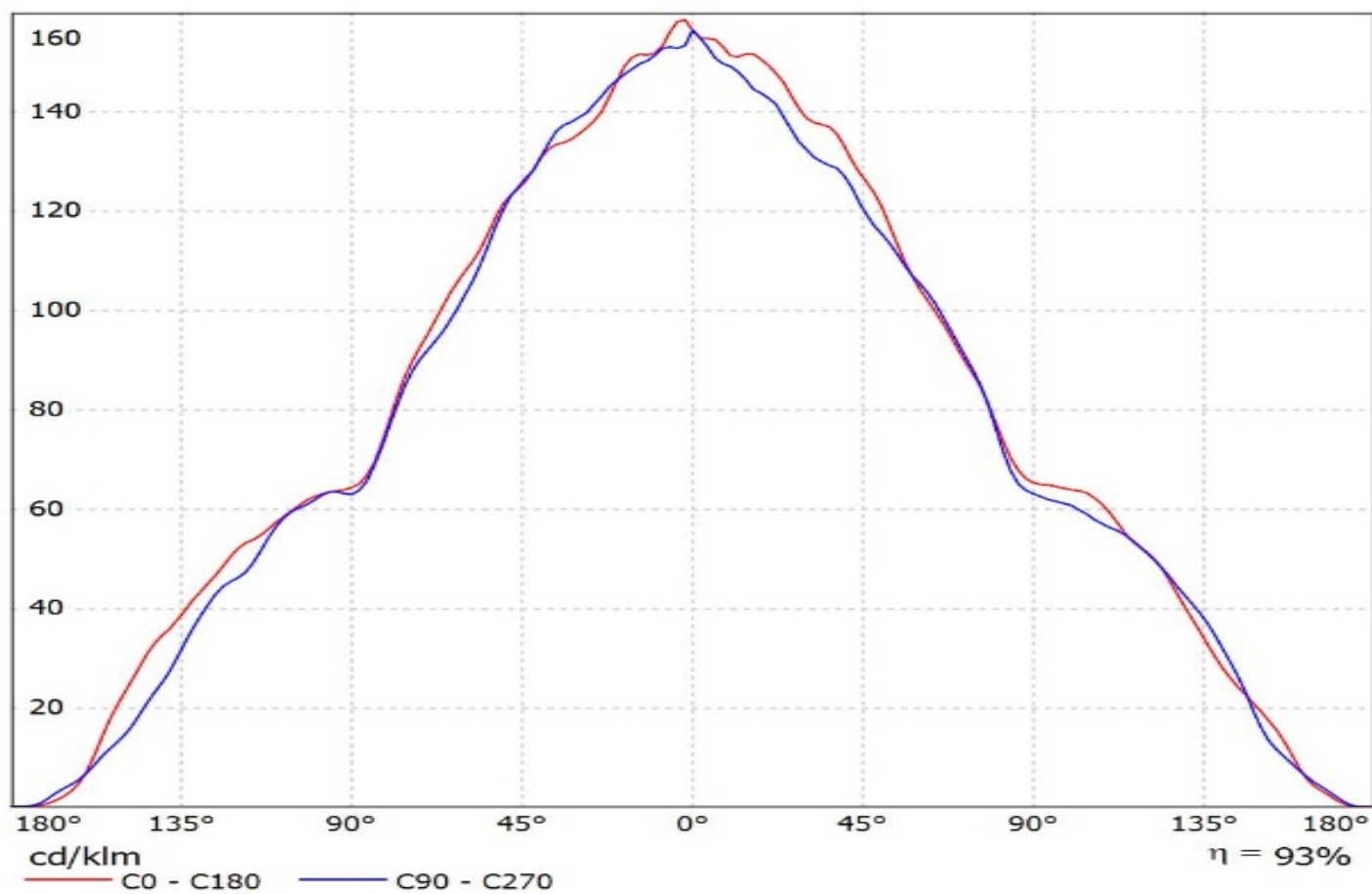
Lamps: 1 x CoB1211_(LHC1-2790-1211)_900.862lm@250mA_P=7.96862W_I=0.250A



Luminaire: Ledil Oy FP15073_ZORYA-SC-50_(Luxeon_CoB_1208)_(47_319_2011)_SIMULATED
Lamps: 1 x Lumileds Luxeon CoB 1208 + BJB connector 47.319.2011

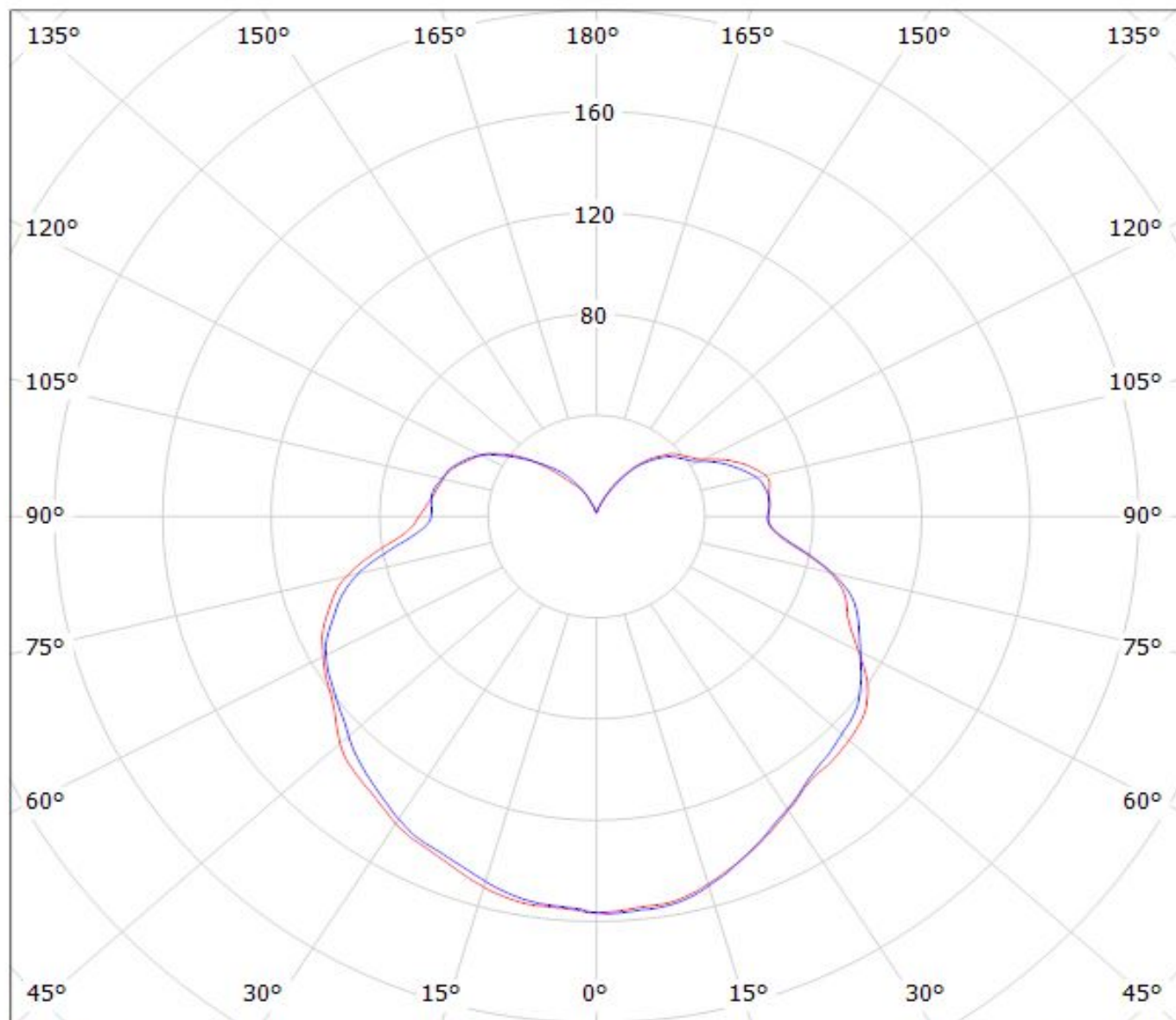


Luminaire: Ledil Oy FP15073_ZORYA-SC-50_(Luxeon_1216)_(8102_G2)_SIMULATED
Lamps: 1 x Lumileds Luxeon 1216 + A.G.G. Stucchi 8102/G2



Luminaire: LEDiL Oy FP15073_ZORYA-SC-50_(CoB1211)

Lamps: 1 x CoB1211_(LHC1-2790-1211)_900.862lm@250mA_P=7.96862W_I=0.250A



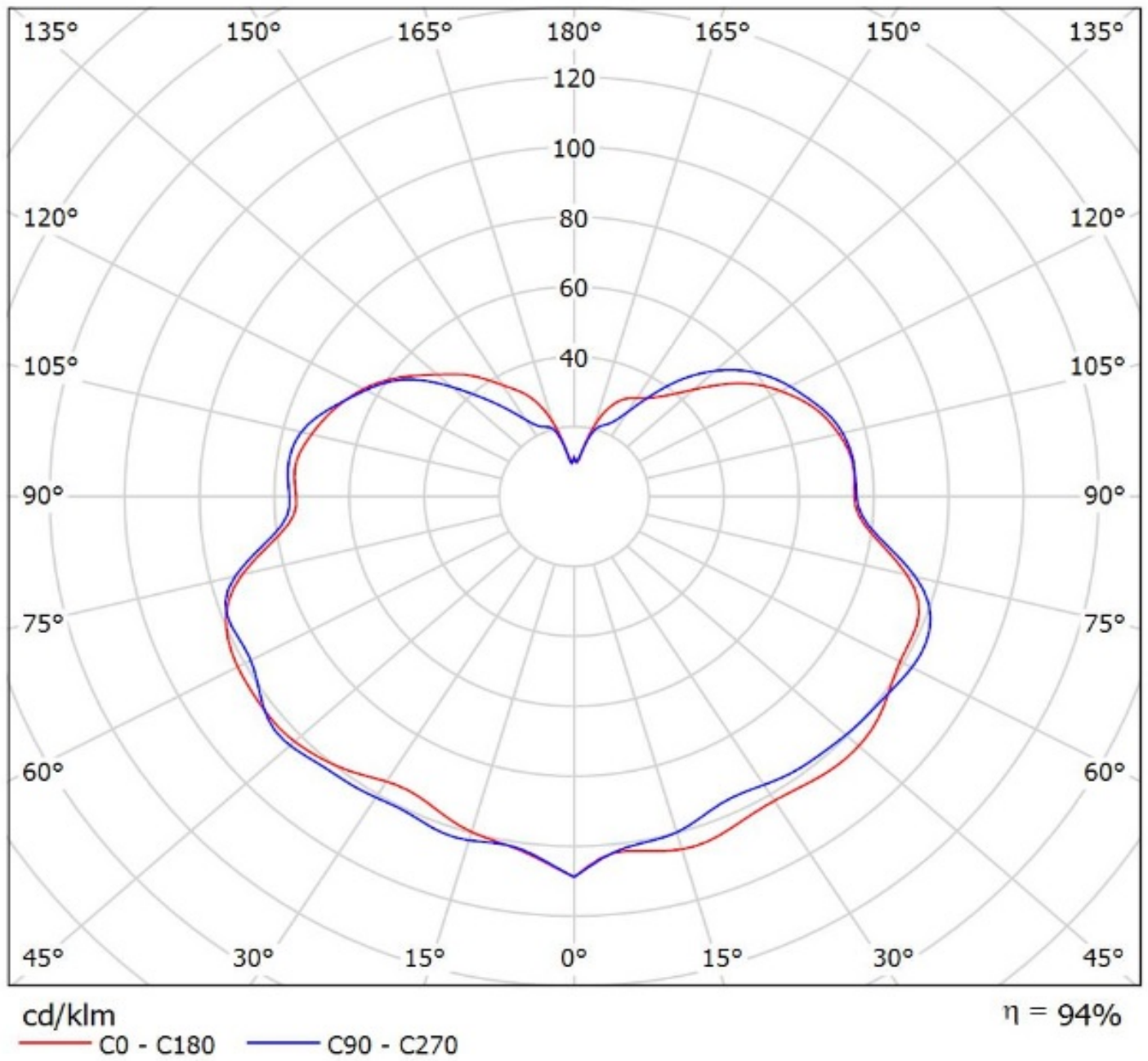
cd/klm

— C0 - C180

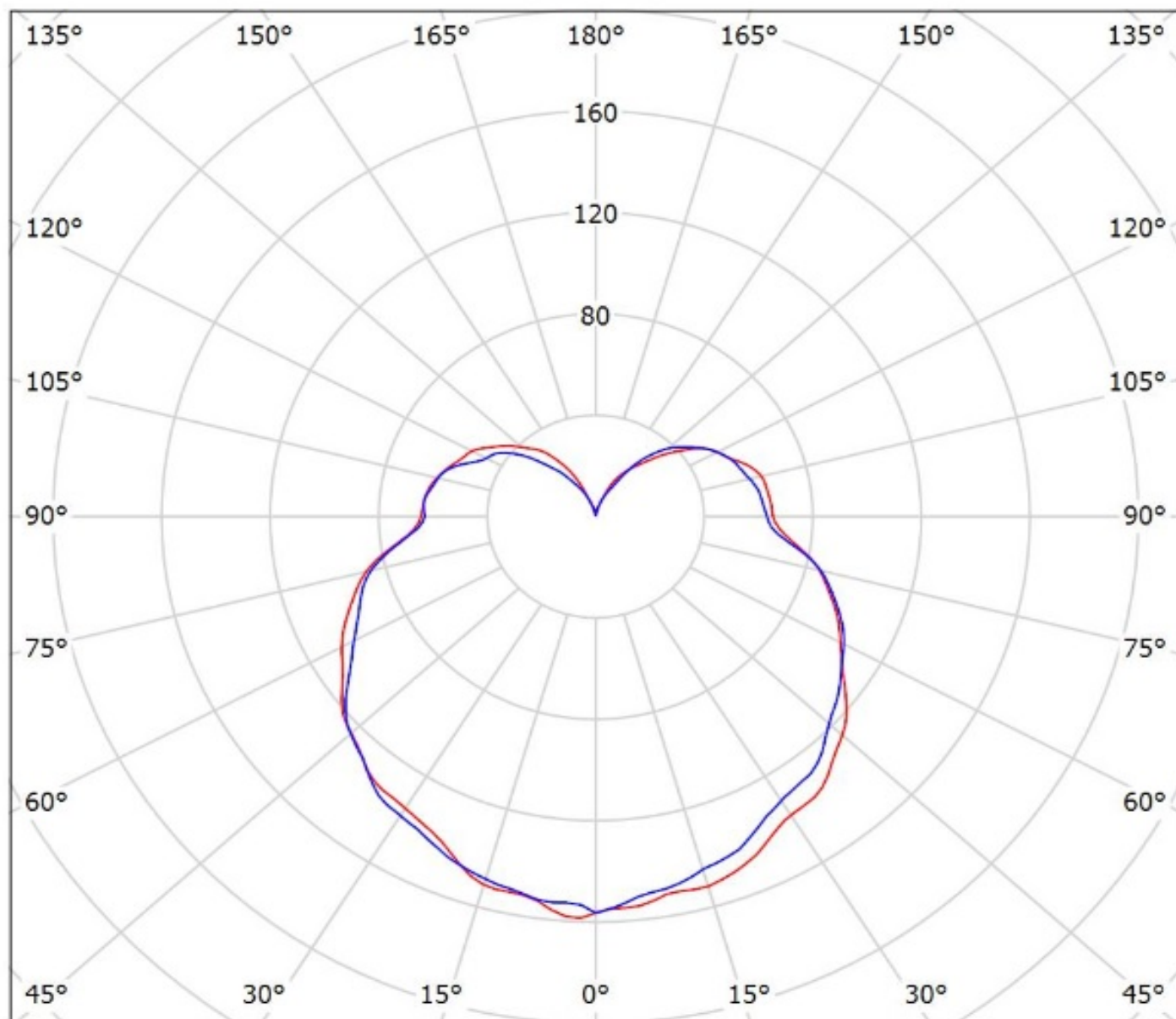
— C90 - C270

$\eta = 96\%$

Luminaire: Ledil Oy FP15073_ZORYA-SC-50_(Luxeon_CoB_1208)_(47_319_2011)_SIMULATED
Lamps: 1 x Lumileds Luxeon CoB 1208 + BJB connector 47.319.2011



Luminaire: Ledil Oy FP15073_ZORYA-SC-50_(Luxeon_1216)_(8102_G2)_SIMULATED
Lamps: 1 x Lumileds Luxeon 1216 + A.G.G. Stucchi 8102/G2



cd/klm

— C0 - C180 — C90 - C270

$\eta = 93\%$

NOTE: The typical divergence will be changed by different color, chip size and chip position tolerance. The typical total divergence is the full angle measured where the luminous intensity is half of the peak value.

GENERAL INFORMATION

- Product series especially designed & optimized for series of LEDs.
- Special care taken to make light distribution as uniform as possible.

Note! Due to use of high power COB's with this product, special attention to proper thermal design is highly recommended. LEDiL has no liability for direct, indirect or consecutive damages arising from the LEDiL products being used outside of the recommended temperature range.